

# Specification for M2C Series Modules

## Model: M2C2SX

### Product Image:



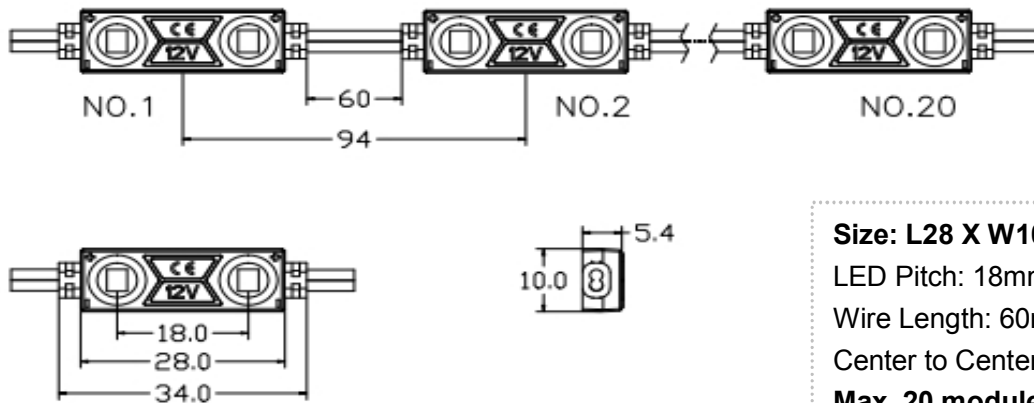
### Applications:

It is suitable for 4-8cm depth signage  
Mini size, suitable for Mini channel letter

### Features:

1. 2chip 2835SMD LED mounted
2. Waterproof with PVC overmolded housing.
3. DC12V
4. 115 Viewing angle
5. Certificate: CE,RoHS
6. Warranty: 3years

### Drawing:



**Size: L28 X W10 X H5.4 mm**

LED Pitch: 18mm

Wire Length: 60mm

Center to Center: 94mm

**Max. 20 modules per string**

### Specification:

Model No.	M2C2SW	M2C2SR	M2C2SG	M2C2SB	M2C2SY
Color	W	R	G	B	Y
Color Temperature(K) Wavelength(nm)	3000/6000/9000	620-625	525-530	465-470	585-590
Working Voltage	DC12V				
Beam Angle	115 degree Viewing Angle				
Brightness(lm)	32	10	23	5	9
Working Current(mA/pcs)	40	40	40	40	40
Power(W/pcs)	0.48	0.48	0.48	0.48	0.48
Operating Temperature	-25°C - 60°C				
Storage Temperature	-30°C - 70°C				
Weight	3 g/pcs				
IP Grate	IP 65				

# Specification for M2C Series Modules

## Model: M2C2X

### Product Image



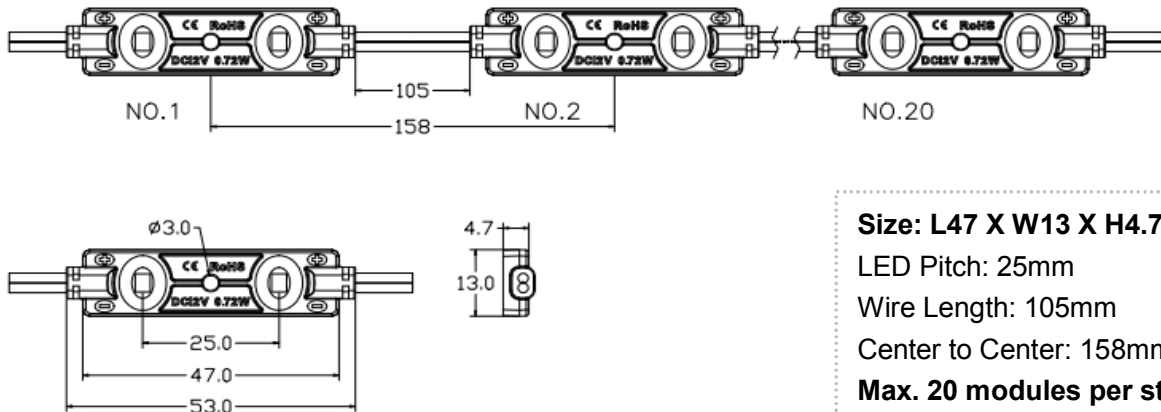
### Applications:

It is suitable for 6-15cm depth signage  
Medium size, suitable for Medium channel letter

### Features:

1. 2chip 2835SMD LED mounted
2. Waterproof with PVC overmolded housing.
3. DC12V
4. 115 Viewing angle
5. Certificate: CE,RoHS
6. Warranty: 3years

### Drawing



**Size: L47 X W13 X H4.7 mm**  
 LED Pitch: 25mm  
 Wire Length: 105mm  
 Center to Center: 158mm  
**Max. 20 modules per string**

### Specification:

Model No.	M2C2W	M2C2R	M2C2G	M2C2B	M2C2Y
Color	W	R	G	B	Y
Color Temperature(K) Wavelength(nm)	3000/6000/9000	620-625	525-530	465-470	585-590
Working Voltage	DC12V				
Beam Angle	115 degree Viewing Angle				
Brightness(lm)	40	12	24	6	10
Working Current(mA/pcs)	60	60	60	60	60
Power(W/pcs)	0.72	0.72	0.72	0.72	0.72
Operating Temperature	-25°C - 60°C				
Storage Temperature	-30°C - 70°C				
Weight	6.8 g/pcs				
IP Grate	IP 65				

## Specification for M2C Series Modules

### Model: M2C3X

#### Product Image



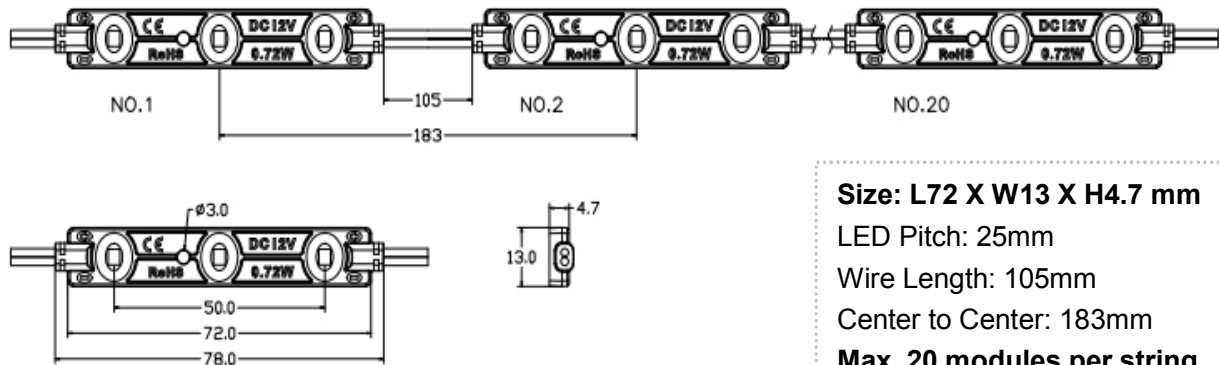
#### Applications:

It is suitable for 8-18cm depth signage  
Big size, suitable for big channel letter

#### Features:

1. 3chip 2835SMD LED mounted
2. Waterproof with PVC overmolded housing.
3. DC12V
4. 115 Viewing angle
5. Certificate: CE,RoHS
6. Warranty: 3years

#### Drawing



**Size: L72 X W13 X H4.7 mm**

LED Pitch: 25mm

Wire Length: 105mm

Center to Center: 183mm

**Max. 20 modules per string**

#### Specification:

Model No.	M3C3W	M3C3R	M3C3G	M3C3B	M3C3Y
Color	W	R	G	B	Y
Color Temperature(K) Wavelength(nm)	3000/6000/9000	620-625	525-530	465-470	585-590
Working Voltage	DC12V				
Beam Angle	115 degree Viewing Angle				
Brightness(lm)	60	18	36	9	15
Working Current(mA/pcs)	60	60	60	60	60
Power(W/pcs)	0.72	0.72	0.72	0.72	0.72
Operating Temperature	-25°C - 60°C				
Storage Temperature	-30°C - 70°C				
Weight	10 g/pcs				
IP Grate	IP 65				